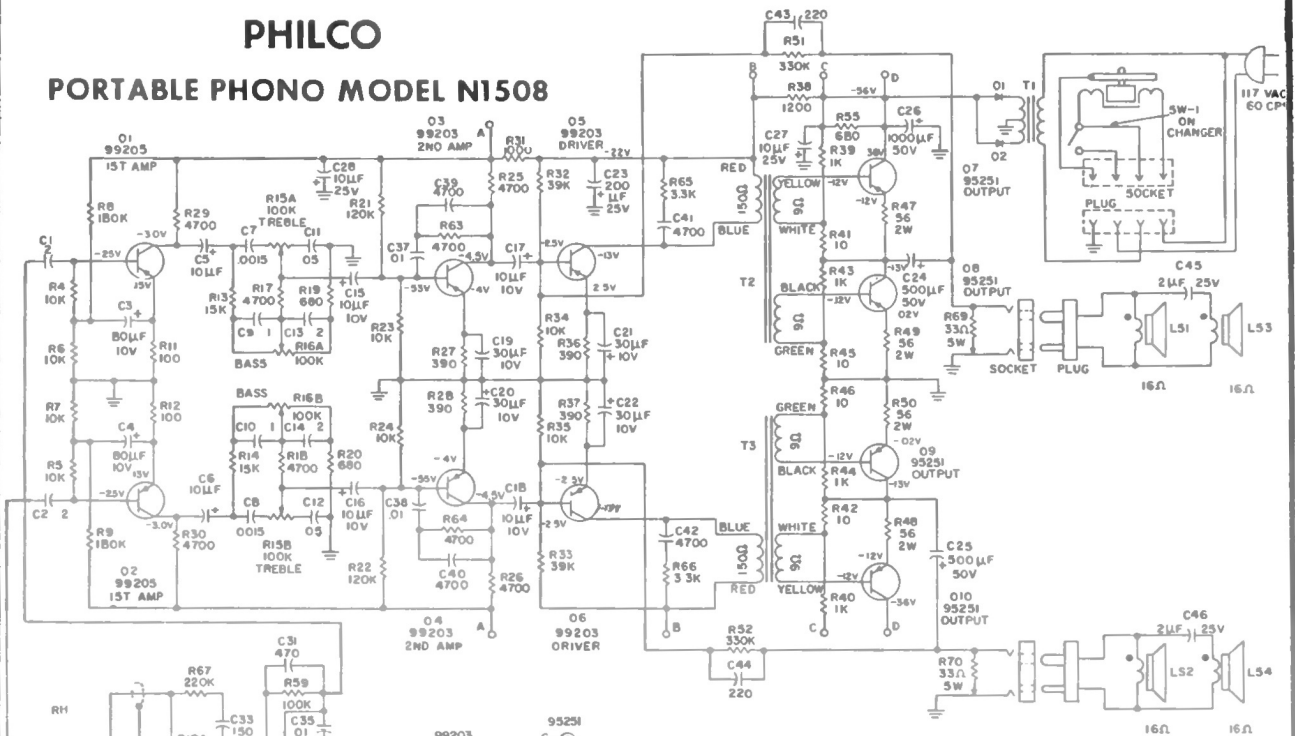
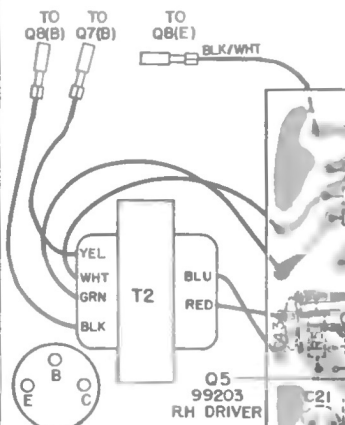
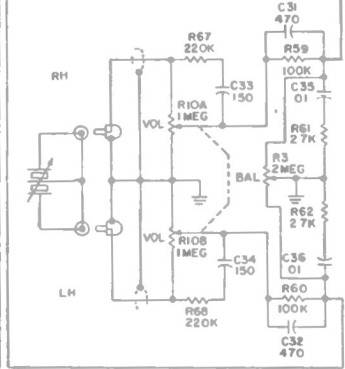


# PHILCO

## PORTABLE PHONO MODEL N1508



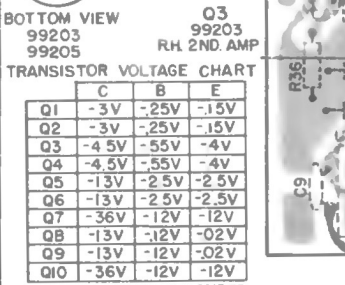
NOTES  
 VOLTAGES MEASURED WITH VTVM "PRECISION" MODEL "8B" TO GROUND B+  
 ALL CAPACITANCE VALUES OF 10 AND ABOVE ARE IN PF AND ALL  
 VALUES BELOW 10 ARE IN UF UNLESS OTHERWISE INDICATED  
 ALL RESISTANCES MEASURED IN-CIRCUIT WITH VTVM



TRANSISTOR VOLTAGE CHART

	C	B	E
Q1	-3V	-25V	-15V
Q2	-3V	-25V	-15V
Q3	-4.5V	-55V	-4V
Q4	-4.5V	-55V	-4V
Q5	-13V	-25V	-2.5V
Q6	-13V	-25V	-2.5V
Q7	-36V	-12V	-12V
Q8	-13V	-12V	-02V
Q9	-13V	-12V	-02V
Q10	-36V	-12V	-12V

ALL VOLTAGES MEASURED FROM GROUND B+



To T2  
 YEL WHT GRN BLK  
 To T3  
 GRN WHT  
 Q2 99205 LH 1ST AMP  
 Q1 99205 RH 1ST AMP

R16 BASS R15 TREBLE Bottom View Perma Circuit Panel-Top Component Layout